

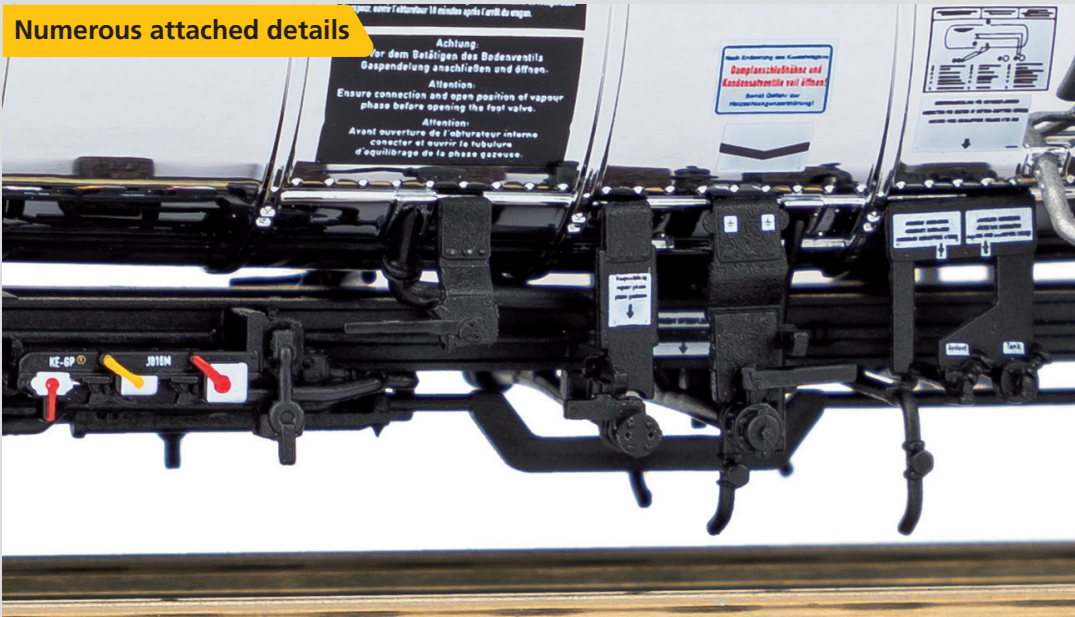


PIKO vehicle  
information  
03/2025

# PIKO

## Chemical Tank Car Zacens

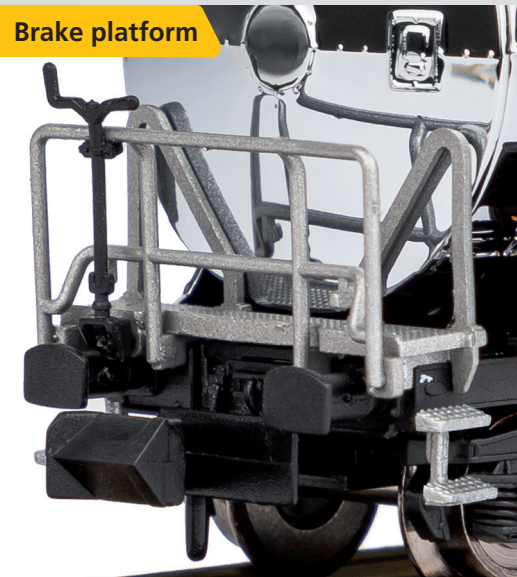
Numerous attached details



Free-standing ladder



Brake platform



Modern freight train traffic in 1:160 -  
with PIKO's chemical tank wagons!

# Chemical Tank Car VTG and GATX VI

# PIKO Chemical Tank Car VTG and GATX VI



Equipped with a stainless steel tank, this wagon is an indispensable and modern vehicle for transporting a wide variety of chemicals. It is designed for the transportation of a wide spectrum of substances thanks to insulation on the one hand and heating on the other. With a volume of 72 m<sup>3</sup> and a tare weight of 24.5 t, a maximum of 65.5 t can be loaded. The inclination of the two tank halves of 1.5 % each towards the middle of the vehicle ensures good emptying of residual quantities. The wagons are equipped with the noise-reducing and therefore environmentally friendly K-sole.

**Our prototype: Zacens 7834 777-0 from VTG and Zacens 7933 151-4 from GATX**

## TECHNICAL DATA

- Length over buffers: 103 mm
- Minimum recommended radius: 192 mm
- Era VI

The PIKO chemical tank cars of the Zacens type are impressive on a scale of 1:160 with their successful mold construction and numerous free-standing add-on parts. The wagons are ideal for forming long freight trains, but are also a real eye-catcher as individual models.

- VTG model with high-gloss tank in chrome look, GATX model with matt tank
- Highly detailed frame
- Freestanding and finely perforated railings, steps and ladders
- Filigree bogies

NEW MOLD

2025



40720 Chemical Tank Car VTG VI

NEW MOLD

2025



40721 Chemical Tank Car GATX VI